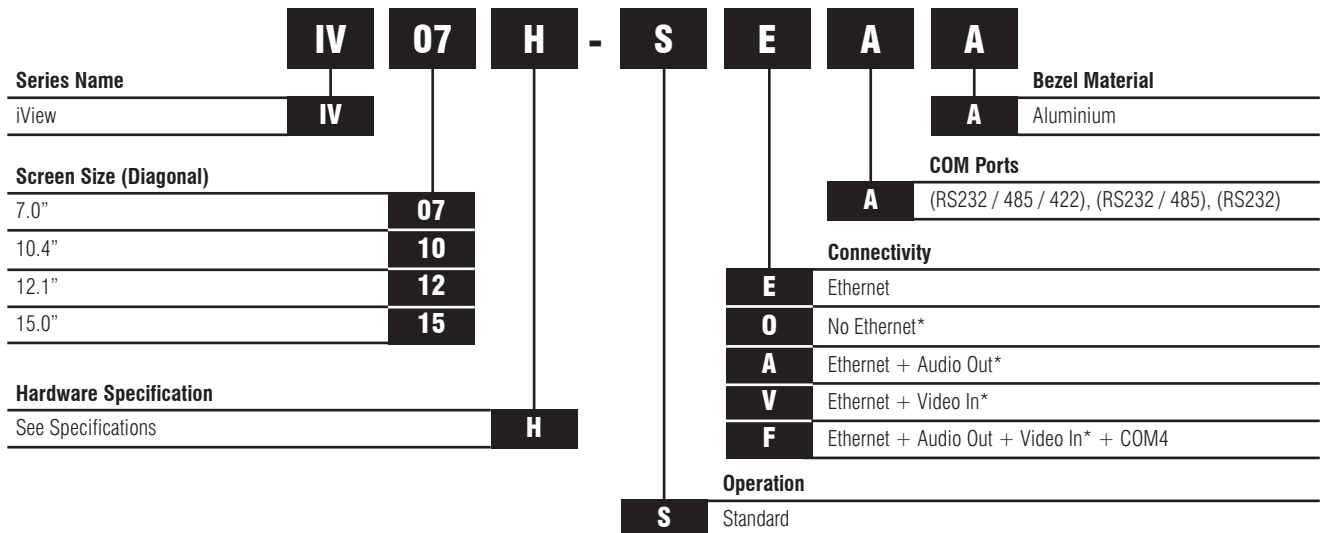


iView HMI - H Series

- In-built FTP functionality allowing remote download
- Three Serial Ports Inc. 1 x Screwless terminal
- In-built Ethernet Port for remote connectivity
- 2 x USB Ports (1 x USB A, 1 x USB B Ports)
- Remote Monitoring using VNC (Web) Server
- MicroSD for Data Logging
- In-built Offline Software Simulation
- Aluminium bezel
- IP66 Rated



Options & Ordering Codes



Specifications

* Please contact IMO for more information

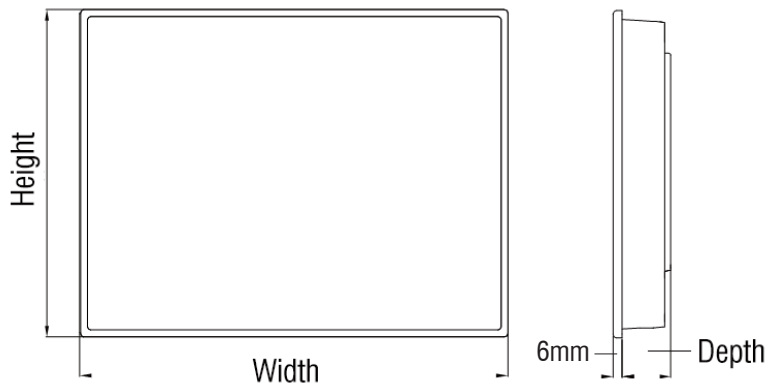
Ordering Codes	IV07H-SEAA	IV10H-SEAA	IV12H-SEAA	IV15H-SEAA
Size	7.0"	10.4"	12.1"	15.0"
Resolution / Colours	800 x 480 / 65K	800 x 600 / 65K	1024 x 768 / 65K	1024 x 768 / 65K
System Memory	256 MB	256 MB	256 MB	256 MB
In-built Storage Memory	1024 MB	1024 MB	1024 MB	1024 MB
Battery Backup Memory	1 MB	1 MB	1 MB	1 MB
COM 1	RS 232/422/485	RS 232/422/485	RS 232/422/485	RS 232/422/485
COM 2	RS 232/485	RS 232/485	RS 232/485	RS 232/485
COM 3	RS 232	RS 232	RS 232	RS 232
USB	2	2	2	2
Real Time Clock	Built In	Built In	Built In	Built In
MicroSD Card	Up To 16 GB	Up To 16 GB	Up To 16 GB	Up To 16 GB
Audio / Video	Optional	Optional	Optional	Optional
Certification	UL, CE, cUL, FCC	UL, CE, cUL, FCC	UL, CE, cUL, FCC	UL, CE, cUL, FCC
Ratings	IP66	IP66	IP66	IP66
Voltage Ratings	24VDC ±10% Isolated	24VDC ±10% Isolated	24VDC ±10% Isolated	24VDC ±10% Isolated
Power Ratings	20 W	20 W	20 W	20 W
Operating Temperature	-20°C to +60°C	-20°C to +60°C	-20°C to +60°C	-20°C to +60°C
Net Weight	0.8kg	1.25kg	1.9kg	2.68kg

iView HMI - H Series

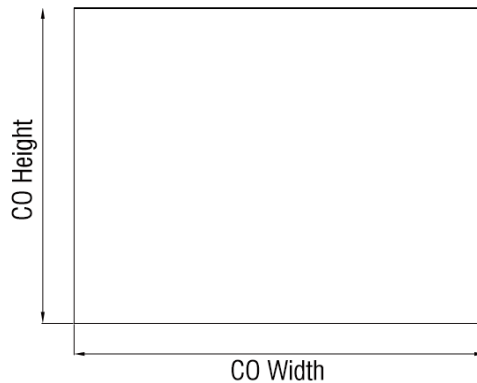
Accessories

Ordering Codes	MSD-16GB	iV-USB
Description	16 GB MicroSD Card	USB Programming Cable

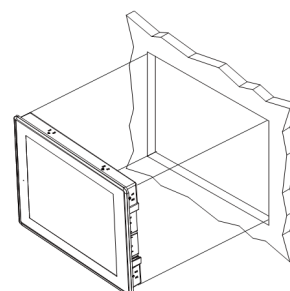
Dimensions



Cut Out Dimensions



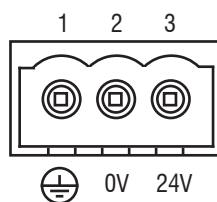
Model	Width	Height	Depth	CO Width	CO Height
IV07H-SEAA	213.6mm	158.6mm	40.5mm	192mm	138.5mm
IV10H-SEAA	280.3mm	222.3mm	45mm	259.5mm	201.5mm
IV12H-SEAA	317.4mm	243.8mm	58mm	301.5mm	228mm
IV15H-SEAA	399.1mm	297.6mm	55mm	384.5mm	283mm



Connections

B-Type COM1 / COM3	
Pin	Description
1	RS422 TXD+ /RS485+
2	RS232 RXD(COM1)
3	RS232 TXD(COM1)
4	RS422 RXD+
5	SG
6	RS422 TXD-/RS485-
7	RS232 TXD(COM3)
8	RS232 RXD(COM3)
9	RS422 RXD-

Power Supply



NOTE: Do not open the rear cover of the panel when power is applied

