

# LMB Series - LED Pilot Light

- Multi-chip LED integrated onto light surface
- IP65
- Single hole fixing Ø22.5mm
- Bright & colour intensive light distribution
- Temperature range -25°C to +55°C
- cURus, CE approval

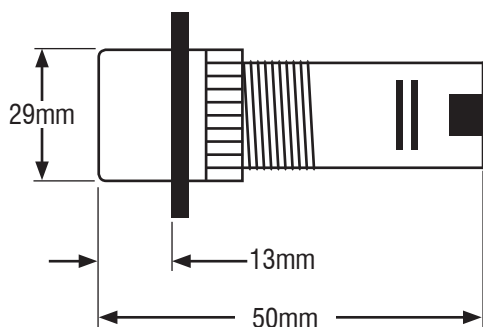


Introducing the LMB mono-block, multi-chip LED pilot light. The LMB range of LED pilot lights can be used in new installations, or a retrofit of an existing panel as they fit into a standard Ø22.5mm (7/8") hole. Besides having a bulb that outlasts a standard incandescent bulb type, LEDs are not affected by vibration or heat, making them suitable for almost every application.

## Options & Ordering Codes

<b>LMB</b>	-	<b>24</b>	-	<b>RED</b>
<b>Supply Voltage</b>				
24VAC/DC		<b>24</b>		<b>RED</b>
110VAC		<b>110</b>		<b>GREEN</b>
230VAC		<b>230</b>		<b>YELLOW</b>
				<b>WHITE</b>
				<b>BLUE</b>

## Dimensions



## Connection Terminals

