

# Smart I/O - Remote IO Modules



Part Number - GSL D24A  
Digital Input Module

- Reduction in the amount of wiring
- Real-time control of distributed I/O devices
- Modbus (RS-422/485) support



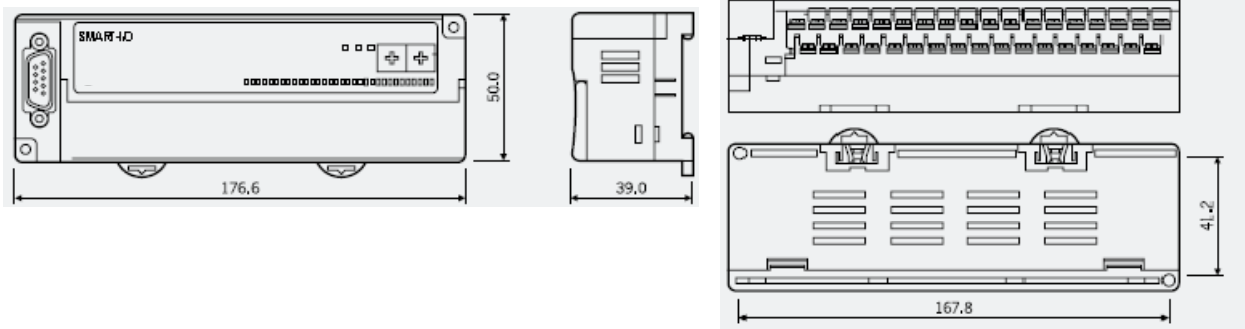
## General Specifications

Number of Points	32
Rated Input (Load Voltage)	24VDC
Rated Input Current (Load)	7mA
Response Time	off to on
	on to off
Common Point / Com	16/Com
Supporting Communication Network	Modbus

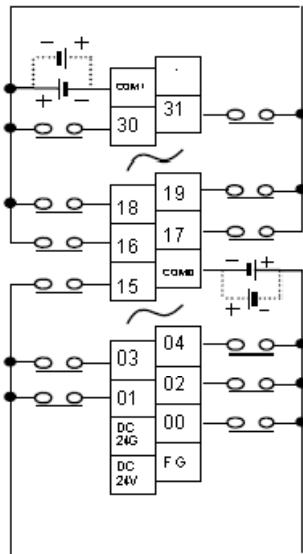
## Modbus Specification

<b>Modbus Protocol</b>	<b>RS422/485</b>
Transmission Speed	2.4Kbps-38.4Kbps
Transmission Distance	500 mtrs
Topology	Bus
Transmission Method	Master/Slave Poll
Max Number of Stations	32

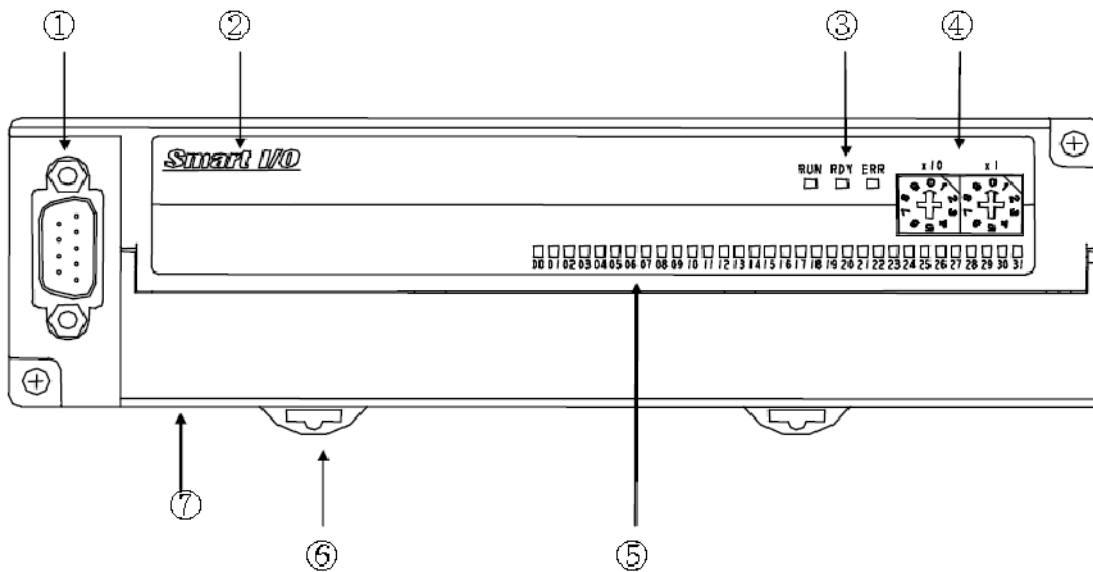
## Dimensions



## Wiring Diagram



## Overview



No.	Item	Description
①	Connection connector	<ul style="list-style-type: none"> <li>Connector for communication connection with master/remote unit</li> <li>• 9 pin connector</li> </ul>
②	Smart I/O type name indication	<ul style="list-style-type: none"> <li>• Describes Modbus module type name.</li> </ul>

③	Communication status indication LED	PWR LED	<p>It describes the status of power to be supplied to the system.</p> <ul style="list-style-type: none"> <li>• On : in case of normal power supply</li> <li>• Off : in case of abnormal power supply</li> </ul>
		TX LED	<p>It describes the transmission status of communication module.</p> <ul style="list-style-type: none"> <li>• Blink : when communication module is transmitting (except for GRL-TR4A)</li> <li>• OFF : LED is OFF in the cases as follows ; <ul style="list-style-type: none"> <li>▶ in case that the voltage is not supplied normally to the basic unit.</li> <li>▶ in case that the error to stop the operation is detected.</li> </ul> </li> </ul>
		RX LED	<p>It describes the receiving status of communication module.</p> <ul style="list-style-type: none"> <li>• Blink : when communication module is receiving.</li> <li>• Off : when communication module has no receiving or the error is detected.</li> </ul>
④	Station no. of its own station setting switch	<p>The switch to set the node station no. of its own station. Available to set from 0~31.</p> <ul style="list-style-type: none"> <li>• X16 : 16 digits indicated</li> <li>• X1 : 1 digit indicated</li> </ul>	
⑤	I/O LED	<p>It describes the contact status of I/O terminal.</p>	
⑥	Hook for DIN rail attachment	<ul style="list-style-type: none"> <li>• Hook for DIN rail attachment</li> </ul>	
⑦	Terminal block	<ul style="list-style-type: none"> <li>• Terminal block layout for I/O wiring</li> </ul>	