

iView Advanced HMI - M Series



Technical Datasheet

Key Features

- In-built FTP functionality
 - Up to 5 x serial ports inc. screwless terminals
 - In-built Ethernet port for remote connectivity
 - 2 x USB ports (1 x USB A, 1 x USB B)
 - Remote monitoring using VNC (web) server
 - Data logging
 - In-built offline software simulation
 - Aluminium bezel versions available*
 - IP66 rated
 - Email Support
 - IOT Support - IDCS & MQTT
 - Android application
- * Model dependant



Options & Ordering Codes

IV2	04	M	-	S	E	A	P
Series Name iView 2nd Gen. IV2						Bezel Material P Plastic A Aluminium	
Screen Size (diagonal) 4.3" 04 7.0" 07 10.4" 10 12.1" 12 15.0" 15					COM Ports A 1 x RS232, 4 x RS485 / 1 x RS422		
Hardware Specification See specification M					Connectivity E Ethernet		
		Operation S Standard					

Specifications

Part Number	IV204M-SEAP	IV207M-SEAP	IV210M-SEAP	IV212M-SEAA	IV215M-SEAA
Size	4.3"	7.0"	10.4"	12.1"	15.0"
Resolution / Colours	480 x 272 / 65K	800 x 480 / 65K	1024 x 600 / 65K	800 x 600 / 65K	1024 x 768 / 65K
System Memory	64 MB	64 MB	64 MB	64 MB	64 MB
In-built Storage Memory	64 MB	64 MB	64 MB	64 MB	64 MB
Battery Backup Memory	128 KB	128 KB	128 KB	128 KB	128 KB
COM 1	RS232 (5-pin terminal)	RS232 (DB9)	RS232 (DB9)	RS 232 (DB9)	RS 232 (DB9)
COM 2	RS485 (5-pin terminal)	RS422/485 (DB9)	RS422/485 (DB9)	RS422/485 (DB9)	RS422/485 (DB9)
COM 3	RS485 (5-pin terminal)	RS485 (DB9)	RS485 (DB9)	RS485 (DB9)	RS485 (DB9)
COM 4	RS485 (5-pin terminal)	RS485 (5-pin terminal)	RS485 (5-pin terminal)	RS485 (5-pin terminal)	RS485 (5-pin terminal)
COM 5	n/a	RS485 (5-pin terminal)	RS485 (5-pin terminal)	RS485 (5-pin terminal)	RS485 (5-pin terminal)
USB	2	2	2	2	2
Real Time Clock	Built In	Built In	Built In	Built In	Built In
Certification	UL, CE, cUL, FCC, NEMA 4X	UL, CE, cUL, FCC, NEMA 4X	UL, CE, cUL, FCC, NEMA 4X	UL, CE, cUL, FCC, NEMA 4	UL, CE, cUL, FCC, NEMA 4
Ratings	IP66	IP66	IP66	IP66	IP66
Voltage Ratings	24VDC ±10% Isolated	24VDC ±10% Isolated	24VDC ±10% Isolated	24VDC ±10% Isolated	24VDC ±10% Isolated
Power Ratings	10 W	20 W	20 W	20 W	20 W
Operating Temperature	-10°C to +60°C	-10°C to +60°C	-10°C to +60°C	-10°C to +60°C	-10°C to +60°C
Net Weight	0.23kg	0.55kg	1.1kg	2.0kg	3.0kg

iView Advanced HMI - M Series

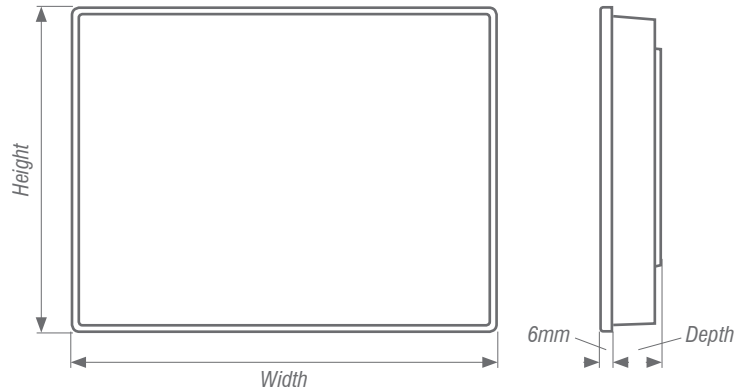


Technical Datasheet

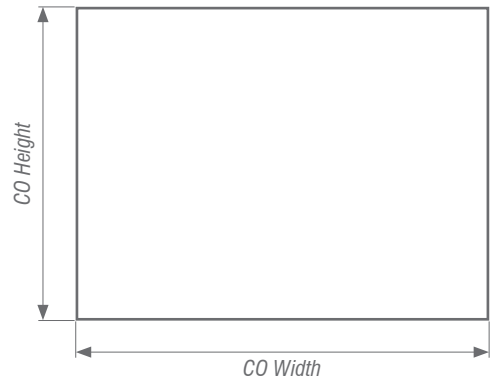
Accessories

Part Number	SMT-IV-RS232	IV-USB
Description	iSmart - iView Communication Cable (RS 232)	USB Programming Cable

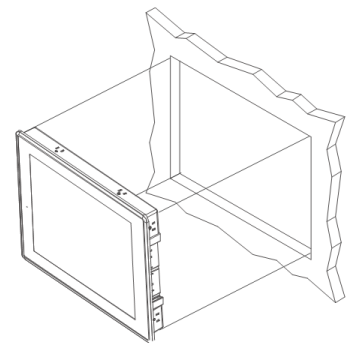
Dimensions



Cut Out Dimensions



Model	Width	Height	Depth	CO Width	CO Height
IV204M-SEAP	129mm	103mm	33mm	118.5mm	92.5mm
IV207M-SEAP	203.5mm	148.5mm	37mm	191.5mm	138mm
IV210M-SEAP	270.8mm	212.8mm	42.5mm	259mm	201mm
IV212M-SEAA	335.4mm	245.8mm	58.2mm	302mm	228mm
IV215M-SEAA	399.1mm	297.6mm	57.5mm	384.5mm	283mm

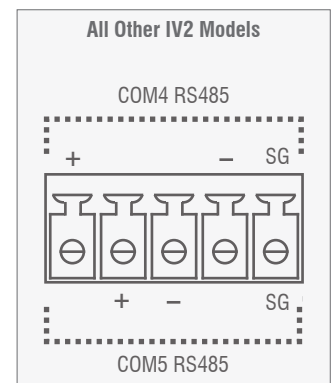
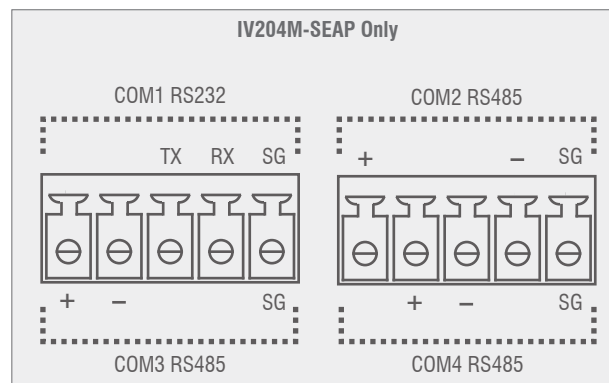


Serial Port Connections

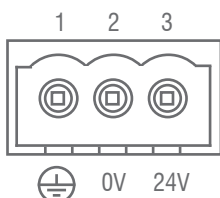
DB-Type*

Pin	Description
1	RS422 TXD+/RS485+ (COM2)
2	RS232 RXD (COM1)
3	RS232 TXD (COM1)
4	RS422 RXD+ (COM2)
5	SG
6	RS422 TXD-/RS485- (COM2)
7	RS485- (COM3)
8	RS485+ (COM3)
9	RS422 RXD- (COM2)

* Not applicable for IV204E



Power Supply



NOTE: Do not open the rear cover of the panel when power is applied