

TA11 Series Multifunction Electronic Timers

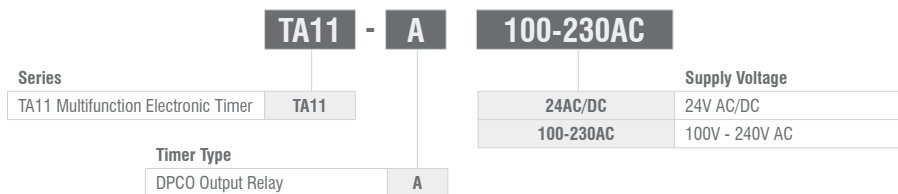


Key Features

- 16 timing ranges selectable from front panel
- Timing ranges 0.05 secs to 60 hours
- 4 operation modes
- Indicators for time range, operation mode, time up & power on/timing
- DCPO output relay
- Instantaneous output with dial set at "0"
- Improved resistance to electromagnetic interference
- Indicators for time range, time up and power on/timing
- 48-DIN
- Plug-in octal base
- Sockets available for panel, surface and DIN rail mounting



Options & Ordering Codes



Technical Specification

Repeat Accuracy	±0.3% at max. setting time
Reset Time	0.1 sec or less
Max. Switching Frequency	1800 times/hour
Allowable Ambient Temperature	-10°C to +55°C (Avoid ice on timer)
Mechanical Life	20 million operations or more
Electrical Life	100,000 operations or more at 250 V AC 5A resistive load
Allowable Operating Voltage Range	0.85 to 1.1 times input voltage (0.9 to 1.1 at 55°C)
Contact Ratings	5A at 250 V AC resistive load
Power Consumption	10VA at AC, 1W at DC

Supply Frequency AC Types	50/60 Hz
Dielectric Strength	2,000 V AC rms. 1 min. between current carrying part and non current carrying part
	2,000 V AC rms. 1 min. between output contacts and control circuit
	1,000 V AC rms. 1 min. between open contacts
Insulation Resistance	100 MΩ or more at 500 V DC megger
Vibration	Mechanical durability: 10 to 55Hz, 0.75mm double amplitude
	Malfuction durability: 10 to 55Hz, 0.5mm double amplitude
Shock	Mechanical durability: 500m/s ² (Approx. 50G)
	Malfuction durability: 100m/s ² (Approx. 10G)

Selectable Timing Ranges

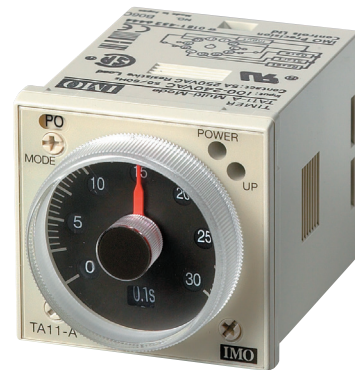
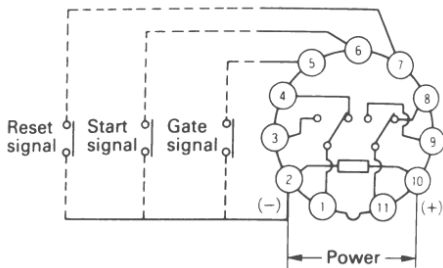
Calibrated range - selected using screw in bottom left corner of the front panel	Controlled timing range. Time unit selectable using the screw in the bottom right hand corner of the front panel			
	Time unit: 0.1 sec.	Time unit: sec.	Time unit: min.	Time unit: hrs
0 - 6	0.05 - 0.6 secs.	0.5 - 6.0 secs.	0.5 - 6.0 mins.	0.5 - 6.0 hrs.
0 - 12	0.1 - 1.2 secs.	1.0 - 12.0 secs.	1.0 - 12.0 mins.	1.0 - 12.0 hrs.
0 - 30	0.25 - 3.0 secs.	2.5 - 30.0 secs.	2.5 - 30.0 mins.	2.5 - 30.0 hrs.
0 - 60	0.5 - 6.0 secs.	5.0 - 60.0 secs.	5.0 - 60.0 mins.	5.0 - 60.0 hrs.

TA11 Series Multifunction Electronic Timers



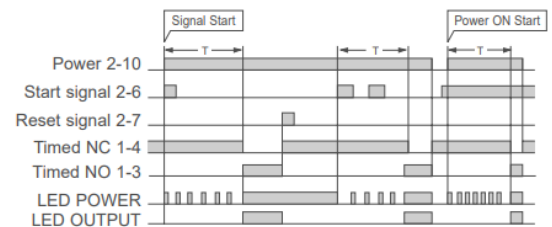
Wiring Diagram & Operating Modes

Mode selected by turning the screw in the top left hand corner of the front panel.
CAUTION: Do not touch terminals 5, 6 & 7 while power is applied to the timer.



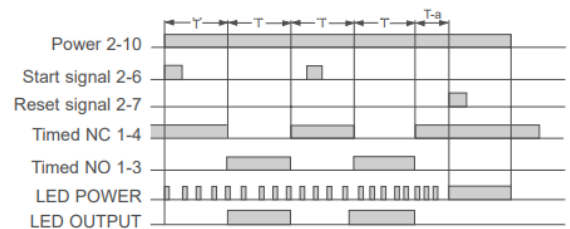
1. On-Delay PO

- Turn the mode selector until PO is displayed
- When power is ON, applying the start signal turns the NO (normally open) timed contact ON after the set time has elapsed
- For power-on-delay operation, the start signal terminals (2 & 6) must be connected in advance
- The timer is reset by the removal of power or by applying a reset signal



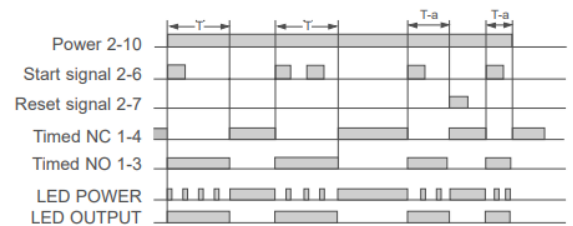
2. Flicker (Repeat Cycle) FL

- Turn the mode selector until FL is displayed
- When power is ON, applying the start signal turns the timed contact ON and OFF repeatedly at the set time intervals
- The timer is reset by the removal of power or by applying a reset signal



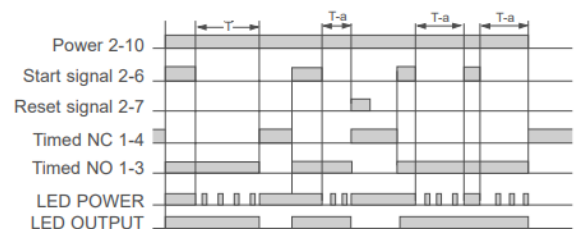
3. One-Shot Momentary Actuation OS

- Turn the mode selector until OS is displayed
- When power is ON, applying the start signal instantly turns the NO timed contact ON and turns it OFF after the set time has elapsed
- Removing the power while the timer is in operation or applying a reset signal, resets the timer



4. Signal Off-Delay SF

- Turn the mode selector until SF is displayed
- When power is ON, applying the start signal instantly turns the NO timed contact ON. Removing the start signal turns the contact OFF after the set time has elapsed
- Removing the power while the timer is in operation or applying a reset signal, resets the timer



Note:

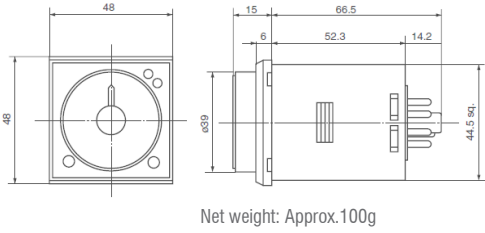
T = Set time, T-a = Time period within the set time

- Applying a gate signal pauses the operation - timing does not continue during a gate signal. Timing will resume at the point where it left, as soon as the gate signal is removed
- Each signal can be input by short circuiting the relevant terminals
- Power LED lights up when power is ON, but flickers during timing

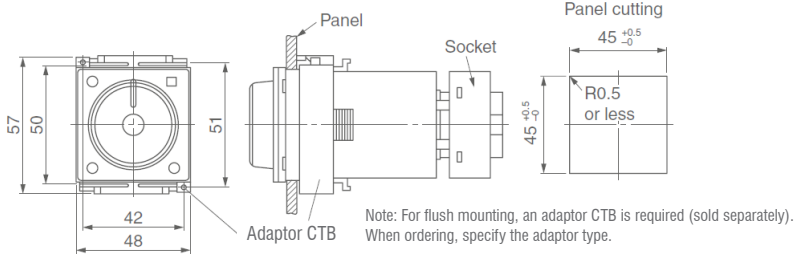
TA11 Series Multifunction Electronic Timers



Dimensions (mm)

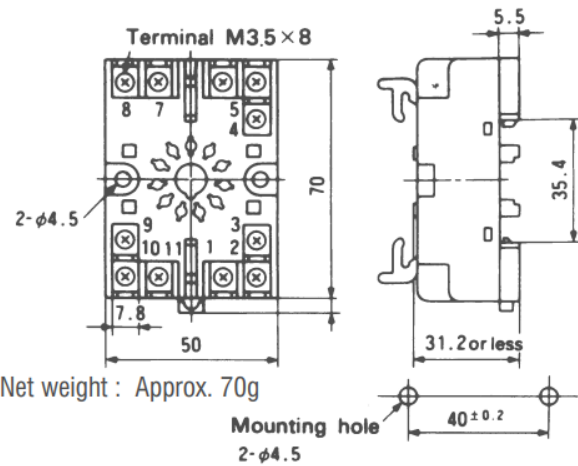


Flush Mounting

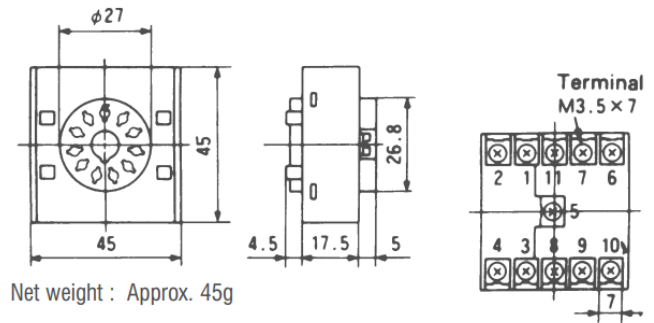


Sockets

Surface / track mounting - screw terminal (STD-11)



Flush mounting - screw terminal (STF-11)



Flush mounting - solder terminal (ZSV11)

