

# XGB Programmable Logic Controller Analogue Input Expansion Unit

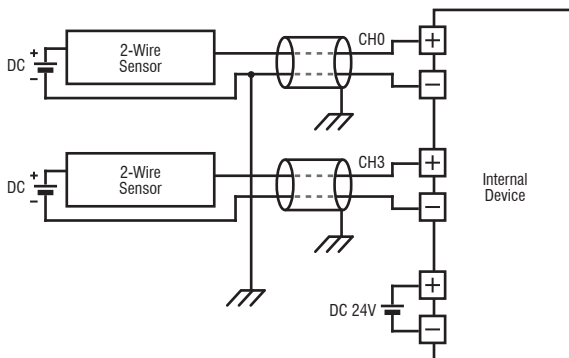
## General Specifications

Item	XBF-AD04A		XBF-AD08A	
Analogue Range	DC 0 ~ 10V (input resistance: 1MΩ min.)			
	DC 4 ~ 20mA, DC 0 ~ 20mA (input resistance 250Ω)			
Analogue Range Selection	XG5000 I/O Parameter			
Digital Data	Analogue Range	0 ~ 10V	4 ~ 20mA	0 ~ 20mA
	Unsigner Value	0 ~ 4000		
	Signed Value	-2000 ~ 2000		
	Precise Value	0 ~ 1000	400 ~ 2000	0 ~ 2000
	Percentile Value	0 ~ 1000		
Resolution	Analogue Input	Resolution (1/4000)	Analogue Input	Resolution (1/4000)
		0 ~ 10V	2.5mV	4 ~ 20mA 0 ~ 20mA
	Max. Conversion Speed			
	1.5ms / Channel			
Max. Absolute Input				
		±15V		±25mA
Accuracy				
±0.5% or less				
Analogue Input Channels		4 channel / module		8 channel / module
Insulation Method				
Photocoupler insulation b/w I/O terminal and power supply				
Connection Terminal				
11 point terminal block				
Occupied I/O Points				
Fixed type: 64 points				
Current Consumption (DC 24V)		62mA (external input)		85mA (external input)



## Wiring

...With 2 Wire Sensor



...With 4 Wire Sensor

